



DM80VE / DC80VE



TWO-STAGE, MULTI-SPEED

ECM GAS FURNACE

80% AFUE

HEATING INPUT: 40,000–120,000 BTU/H

■ Contents

Nomenclature.....	2
Product Specifications.....	3
Dimensions	5
Airflow Data	7
Wiring Diagram	20
Accessories	21

■ Standard Features

- Heavy-duty stainless-steel dual-diameter, tubular heat exchanger
- Two-stage gas valve provides quiet, economical heating
- Durable Silicon Nitride igniter
- Quiet two-speed draft inducer
- Self-diagnostic control board
- Efficient and quiet multi-speed airflow system
- Multiple continuous fan speed options offer quiet air circulation
- California Low NOx emissions-compliant models available
- Can no longer be installed in California's South Coast Air Quality Management District (SCAQMD) on or after October 1, 2019
- AHRI Certified; ETL Listed

■ Cabinet Features

- Multi-position installation:
DM80VE: Upflow, horizontal left or right.
DC80VE: Downflow, horizontal left or right.
Convenient left or right connection for gas and electrical service
- Cabinet air leakage ($Q_{Leak} \leq 2\%$)
- Heavy-gauge steel cabinet with durable baked-enamel finish
- Fully insulated heat exchanger and blower section



* Complete warranty details available from your local dealer or at www.daikincomfort.com. To receive the Lifetime Heat Exchanger Limited Warranty (good for as long as you own your home), the 6-Year Unit Replacement Limited Warranty and the 12-Year Parts Limited Warranty, online registration must be completed within 60 days of installation. Additional requirements for annual maintenance are required for the Unit Replacement Limited Warranty. Online registration and some of the additional requirements are not required in California or Quebec.

	D	M	80	V	E	060	3	A	X	*	*	
	1	2	3,4	5	6	7,8,9	10	11	12	13	14	
Brand											Minor Revision	
D - Daikin Brand											A - Initial Release B - 1st Revision	
Configuration											Major Revision	
M - Upflow/Horizontal C - Downflow/Horizontal D - Dedicated Downflow											A - Initial Release B - 1st Revision	
AFUE											NOx	
97 - 97-98% AFUE 92 - 92% AFUE 96 - 96% AFUE 80 - 80% AFUE											N -Natural Gas X - Low NOx	
Gas Valve											Cabinet Width	
M - Modulating H - Convertible Two-Stage V - Two Stage S - Single Stage											A - 14" C - 21" B - 17½" D - 24½"	
Motor											Maximum CFM	
C - Variable Speed ECM / Communicating E - Multi-Speed ECM S - Multi-Speed PSC											2 - 800 CFM 3 - 1200 CFM 4 - 1600 CFM 5 - 2000 CFM	
MBTU/h												
040 - 40,000 BTU/h 100 - 100,000 BTU/h 060 - 60,000 BTU/h 120 - 120,000 BTU/h 080 - 80,000 BTU/h 140 - 140,000 BTU/h												

	DM80VE 0403A*	DM80VE 0603B*	DM80VE 0803B*	DM80VE 0805C*	DM80VE 0805D*	DM80VE 1005C*	DM80VE 1205D*
HEATING CAPACITY							
High Fire Input (BTU/h) ¹	40,000	60,000	80,000	80,000	80,000	100,000	120,000
High Fire Output (BTU/h) ¹ (below)							
Natural Gas	32,000	48,000	64,000	64,000	64,000	80,000	96,000
LP Gas	32,000	48,000	64,000	64,000	64,000	80,000	96,000
Low Fire Input (BTU/h) ¹	28,000	42,000	56,000	56,000	56,000	70,000	84,000
Low Fire Output (BTU/h) ¹ (below)							
Natural Gas	22,400	33,600	44,800	44,800	44,800	56,000	67,200
LP Gas	22,400	33,600	44,800	44,800	44,800	56,000	67,200
AFUE ²	80	80	80	80	80	80	80
Available AC @ 0.5" ESP	1.5- 3.0	1.5- 4.0	3.0- 4.0	2.5- 5.0	2.5- 5.0	2.0- 5.0	2.0- 5.0
Temperature Rise Range (° F)	15-45 / 15-45	15-45 / 15-45	30-60 / 30-60	25-55 / 25-55	20-50 / 20-50	20-50 / 20-50	40-70 / 40-70
CIRCULATOR BLOWER							
Size (D x W)	10" x 6"	10" x 8"	10" x 8"	10" x 10"	11" x 10"	10" x 10"	11" x 10"
Horsepower- RPM	1/2	1/2	1/2	3/4	3/4	1	1
Speed	5	5	5	5	5	5	5
Vent Diameter ³	4"	4"	4"	4"	4"	4"	4"
No. of Burners	3	3	4	4	4	5	6
ELECTRICAL DATA							
Min. Circuit Ampacity ⁴	8.7	8.7	8.7	15.32	15.32	15.32	15.32
Max. Overcurrent Device (amps) ⁵	15	15	15	20	20	20	20
SHIP WEIGHT (LBS)							
	105	107	118	129	129	124	124

¹ Low-fire rate is 75% of high-fire rate. Natural Gas BTU/h; for altitudes 0-4500' above sea level, reduce input rating by 4% for each 1000' above 4500' altitude.

² DOE AFUE based upon Isolated Combustion System (ICS)

³ Vent and combustion air diameters may vary depending upon vent length. Refer to the latest editions of the National Fuel Gas Code NFPA 54/ANSI Z223.1 (in the USA) and the Canada National Standard of Canada, CAN/CSA B149.1 and CAN/CSA B142.2 (in Canada).

⁴ Minimum Circuit Ampacity = (1.25 x Circulator Blower Amps) + ID Blower amps. Wire size should be determined in accordance with National Electrical Codes. Extensive wire runs will require larger wire sizes.

⁵ Maximum Overcurrent Protection Device refers to maximum recommended fuse or circuit breaker size. May use fuses or HACR-type circuit breakers of the same size as noted.

NOTES

- All furnaces are manufactured for use on 115 VAC, 60 Hz, single-phase electrical supply.
- Gas Service Connection ½" FPT
- Important: Size fuses and wires properly and make electrical connections in accordance with the National Electrical Code and/or all existing local codes.

	DC80VE 0403A*	DC80VE 0603A*	DC80VE 0603B*	DC80VE 0804B*	DC80VE 0805C*	DC80VE 1005C*
HEATING CAPACITY						
High Fire Input (BTU/h) ¹	40,000	60,000	60,000	80,000	80,000	100,000
High Fire Output (BTU/h) ¹ (below)						
Natural Gas	32,000	48,000	48,000	64,000	64,000	80,000
LP Gas	32,000	48,000	48,000	64,000	64,000	80,000
Low Fire Input (BTU/h) ¹	28,000	42,000	42,000	56,000	56,000	70,000
Low Fire Output (BTU/h) ¹ (below)						
Natural Gas	22,400	33,600	33,600	44,800	44,800	56,000
LP Gas	22,400	33,600	33,600	44,800	44,800	56,000
AFUE ²	80	80	80	80	80	80
Available AC @ 0.5" ESP	1.5 - 3.0	1.5 - 4.0	1.5 - 4.0	2.0 - 5.0	2.5 - 5.0	2.0 - 5.0
Temperature Rise Range (° F)	15-45 / 15-45	30-60 / 30-60	25-55 / 25-55	30-60 / 30-60	30-60 / 30-60	20-50 / 20-50
CIRCULATOR BLOWER						
Size (D x W)	10" x 6"	10" x 6"	10" x 8"	10" x 10"	10" x 10"	10" x 10"
Horsepower - RPM	1/2	½	1/2	3/4	3/4	1
Speed	5	5	5	5	5	5
Vent Diameter ³	4"	4"	4"	4"	4"	4"
No. of Burners	3	3	3	4	4	5
ELECTRICAL DATA						
Min. Circuit Ampacity ⁴	8.7	8.7	8.7	12.45	15.32	15.32
Max. Overcurrent Device (amps) ⁵	15	15	15	15	20	20
SHIP WEIGHT (LBS)	105	107	107	121	129	124

¹ Low-fire rate is 75% of high-fire rate. Natural Gas BTU/h; for altitudes 0-4500' above sea level, reduce input rating by 4% for each 1000' above 4500' altitude.

² DOE AFUE based upon Isolated Combustion System (ICS)

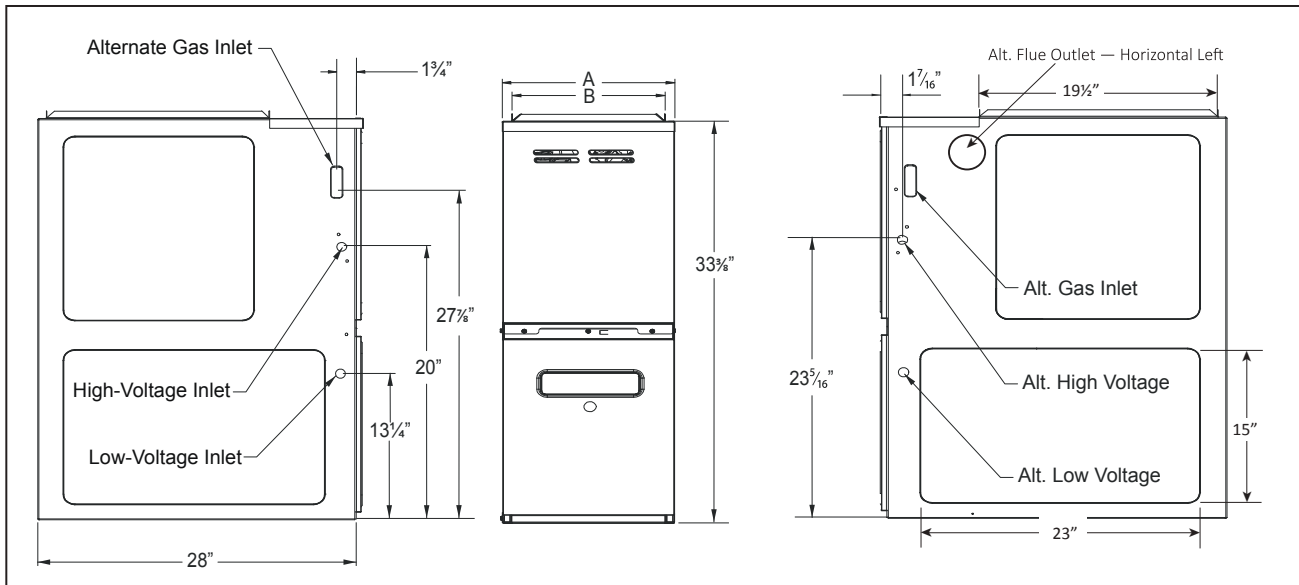
³ Vent and combustion air diameters may vary depending upon vent length. Refer to the latest editions of the National Fuel Gas Code NFPA 54/ANSI Z223.1 (in the USA) and the Canada National Standard of Canada, CAN/CSA B149.1 and CAN/CSA B142.2 (in Canada).

⁴ Minimum Circuit Ampacity = (1.25 x Circulator Blower Amps) + ID Blower amps. Wire size should be determined in accordance with National Electrical Codes. Extensive wire runs will require larger wire sizes.

⁵ Maximum Overcurrent Protection Device refers to maximum recommended fuse or circuit breaker size. May use fuses or HACR-type circuit breakers of the same size as noted.

NOTES

- All furnaces are manufactured for use on 115 VAC, 60 Hz, single-phase electrical supply.
- Gas Service Connection ½" FPT
- Important: Size fuses and wires properly and make electrical connections in accordance with the National Electrical Code and/or all existing local codes.



MODEL	DIMENSIONS	
	A	B
DM80VE0403A*	14"	12 1/2"
DM80VE0603B*	17 1/2"	16"
DM80VE0803B*	17 1/2"	16"
DM80VE0805C*	21"	19 1/2"
DM80VE0805D*	24 1/2"	23"
DM80VE1005C*	21"	19 1/2"
DM80VE1205D*	24 1/2"	23"

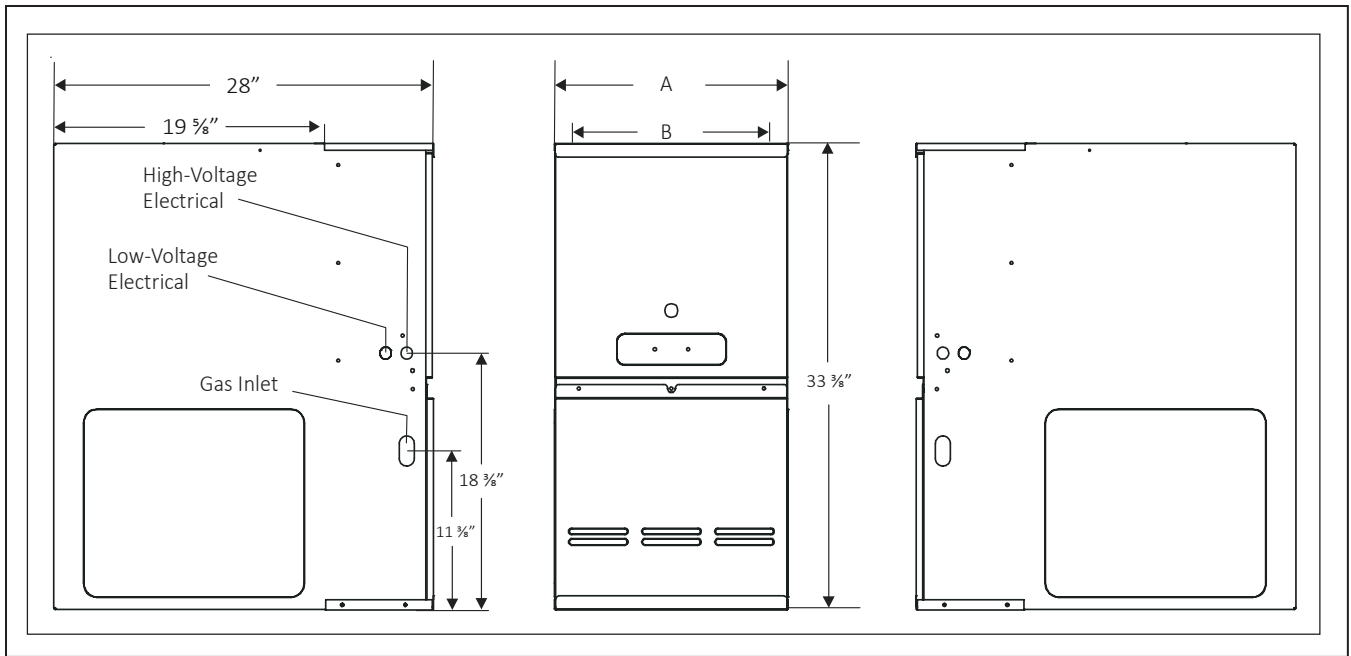
MINIMUM CLEARANCES TO COMBUSTIBLE MATERIALS

SIDES	REAR	FRONT	BOTTOM	VENT		TOP
				SW	B	
1	0	3	C	6	1	1

C = If placed on combustible floor, the floor MUST be wood ONLY

NOTES

- For servicing or cleaning, a 24" front clearance is recommended.
- Unit connections (electrical, flue, and drain) may necessitate greater clearances than the minimum clearances listed above.
- In all cases, accessibility clearance must take precedence over clearances from the enclosure where accessibility clearances are greater.
- Refer to the appropriate USA and Canadian codes:
- In the USA: the National Fuel Gas Code NFPA 54 / ANSI Z223.1
- In Canada: the Canada National Standard of Canada, CAN/CSA B149.1 and CAN/CSA B142.2



MODEL	DIMENSIONS	
	A	B
DC80VE0403A*	14"	12½"
DC80VE0603A*	14"	12½"
DC80VE0603B*	17½"	16"
DC80VE0804B*	17½"	16"
DC80VE0805C*	21"	19½"
DC80VE1005C*	21"	19½"

MINIMUM CLEARANCES TO COMBUSTIBLE MATERIALS

SIDES	REAR	FRONT	BOTTOM	VENT		TOP
				SW	B	
1	0	3	C	6	1	1

C = If placed on combustible floor, the floor MUST be wood ONLY.

Notes:

- For servicing or cleaning, a 24" front clearance is recommended.
- Unit connections (electrical, flue, and drain) may necessitate greater clearances than the minimum clearances listed above.
- In all cases, accessibility clearance must take precedence over clearances from the enclosure where accessibility clearances are greater.
- Refer to the appropriate USA and Canadian codes:
 In the USA: the National Fuel Gas Code NFPA 54 / ANSI Z223.1
 In Canada: the Canada National Standard of Canada, CAN/CSA B149.1 and CAN/CSA B142.2

PCBBF139

DM80VE0403A* - COOLING

DIP SWITCHES S1-1 S1-2 S1-3	STATIC	0.1	0.2	0.3	0.4	0.5	0.6	0.7	0.8
	TSTAT CALL	CFM	CFM	CFM	CFM	CFM	CFM	CFM	CFM
OFF OFF OFF*	Ylo	1138	1093	1057	1016	981	945	912	876
	Y	1367	1321	1286	1255	1223	1190	1160	1133
ON OFF OFF	Ylo	923	865	824	802	759	715	674	631
	Y	1138	1093	1057	1016	981	945	912	876
ON ON OFF	Ylo	923	865	824	802	759	715	674	631
	Y	1367	1321	1286	1255	1223	1190	1160	1133
OFF ON OFF	Ylo	1138	1093	1057	1016	981	945	912	876
	Y	553	496	436	372	308	252	198	N/A
OFF OFF ON	ylo	1138	1093	1057	1016	981	945	912	876
	Y	750	703	651	600	553	504	456	409
OFF ON ON	ylo	923	865	824	802	759	715	674	631
	Y	553	496	436	372	308	252	198	N/A
ON OFF ON	ylo	750	703	651	600	553	504	456	409
	Y	1367	1321	1286	1255	1223	1190	1160	1133
ON ON ON	ylo	750	703	651	600	553	504	456	409
	Y	923	865	824	802	759	715	674	631

*DEFAULT

PCBBF139

DM80VE0403A* - CONTINUOUS FAN

DIP SWITCHES S2-2 S2-3 S2-4	STATIC	0.1	0.2	0.3	0.4	0.5	0.6	0.7	0.8
	TSTAT CALL	CFM	CFM	CFM	CFM	CFM	CFM	CFM	CFM
	G	553	496	436	372	308	252	198	N/A
ON OFF OFF	G	750	703	651	600	553	504	456	409
ON ON OFF	G	923	865	824	802	759	715	674	631
OFF ON OFF	G	1138	1093	1057	1016	981	945	912	876
OFF OFF ON	G	1367	1321	1286	1255	1223	1190	1160	1133
OFF ON ON	G	553	496	436	372	308	252	198	N/A
ON OFF ON	G	553	496	436	372	308	252	198	N/A
ON ON ON	G	553	496	436	372	308	252	198	N/A

PCBBF139

DM80VE0403A* - HEATING

DIP SWITCHES S1-4 S2-1	STATIC	0.1		0.2		0.3		0.4		0.5		0.6	0.7	0.8
	TSTAT CALL	CFM	RISE	CFM	RISE	CFM	RISE	CFM	RISE	CFM	RISE	CFM	CFM	CFM
OFF OFF*	W1	553	38	496	42	436	N/A	372	N/A	308	N/A	252	198	N/A
	W2	750	40	703	42	651	N/A	600	N/A	553	N/A	504	456	409
ON OFF	W1	923	22	865	24	824	25	802	26	759	27	715	674	631
	W2	750	40	703	42	651	N/A	600	N/A	553	N/A	504	456	409
ON ON	W1	923	22	865	24	824	25	802	26	759	27	715	674	631
	W2	1138	26	1093	27	1057	28	1016	29	981	30	945	912	876
OFF ON**	W1	1138	N/A	1093	N/A	1057	N/A	1016	N/A	981	N/A	945	912	876
	W2	1367	N/A	1321	N/A	1286	N/A	1255	N/A	1223	N/A	1190	1160	1133

*DEFAULT

**NOT RECOMMENDED

NOTES

- All furnaces ship as high speed for cooling. Installer must adjust blower speed as needed.
- For most jobs, about 400 CFM per ton when cooling is desirable.
- INSTALLATION IS TO BE ADJUSTED TO OBTAIN TEMPERATURE RISE WITHIN THE RANGE SPECIFIED ON THE RATING PLATE.

PCBBF139 DM80VE0603B* - COOLING

DIP SWITCHES S1-1 S1-2 S1-3	STATIC	0.1	0.2	0.3	0.4	0.5	0.6	0.7	0.8
	TSTAT CALL	CFM	CFM	CFM	CFM	CFM	CFM	CFM	CFM
OFF OFF OFF*	Ylo	1330	1280	1229	1187	1146	1103	1061	1018
	Y	1465	1416	1382	1340	1299	1278	1257	1219
ON OFF OFF	Ylo	737	661	589	531	456	384	313	252
	Y	1330	1280	1229	1187	1146	1103	1061	1018
ON ON OFF	Ylo	737	661	589	531	456	384	313	252
	Y	1465	1416	1382	1340	1299	1278	1257	1219
OFF ON OFF	Ylo	1330	1280	1229	1187	1146	1103	1061	1018
	Y	1155	1100	1048	1002	952	907	861	816
OFF OFF ON	ylo	1330	1280	1229	1187	1146	1103	1061	1018
	Y	1418	1376	1333	1288	1248	1206	1163	1124
OFF ON ON	ylo	737	661	589	531	456	384	313	252
	Y	1155	1100	1048	1002	952	907	861	816
ON OFF ON	ylo	1418	1376	1333	1288	1248	1206	1163	1124
	Y	1465	1416	1382	1340	1299	1278	1257	1219
ON ON ON	ylo	1418	1376	1333	1288	1248	1206	1163	1124
	Y	737	661	589	531	456	384	313	252

*DEFAULT

PCBBF139 DM80VE0603B* - CONTINUOUS FAN

DIP SWITCHES S2-2 S2-3 S2-4	STATIC	0.1	0.2	0.3	0.4	0.5	0.6	0.7	0.8
	TSTAT CALL	CFM	CFM	CFM	CFM	CFM	CFM	CFM	CFM
	G	1155	1100	1048	1002	952	907	861	816
ON OFF OFF	G	1418	1376	1333	1288	1248	1206	1163	1124
ON ON OFF	G	737	661	589	531	456	384	313	252
OFF ON OFF	G	1330	1280	1229	1187	1146	1103	1061	1018
OFF OFF ON	G	1465	1416	1382	1340	1299	1278	1257	1219
OFF ON ON	G	1155	1100	1048	1002	952	907	861	816
ON OFF ON	G	1155	1100	1048	1002	952	907	861	816
ON ON ON	G	1155	1100	1048	1002	952	907	861	816

PCBBF139 DM80VE0603B* - HEATING

DIP SWITCHES S1-4 S2-1	STATIC	0.1		0.2		0.3		0.4		0.5		0.6	0.7	0.8
	TSTAT CALL	CFM	RISE	CFM	RISE	CFM	RISE	CFM	RISE	CFM	RISE	CFM	CFM	CFM
OFF OFF*	W1	1155	27	1100	28	1048	30	1002	31	952	33	907	861	816
	W2	1418	31	1376	32	1333	33	1288	35	1248	36	1206	1163	1124
ON OFF	W1	737	42	661	N/A	589	N/A	531	N/A	456	N/A	384	313	252
	W2	1418	31	1376	32	1333	33	1288	35	1248	36	1206	1163	1124
ON ON	W1	737	42	661	N/A	589	N/A	531	N/A	456	N/A	384	313	252
	W2	1330	33	1280	35	1229	36	1187	37	1146	39	1103	1061	1018
OFF ON**	W1	1330	N/A	1280	N/A	1229	N/A	1187	N/A	1146	N/A	1103	1061	1018
	W2	1465	N/A	1416	N/A	1382	N/A	1340	N/A	1299	N/A	1278	1257	1219

*DEFAULT **NOT RECOMMENDED

NOTES

- All furnaces ship as high speed for cooling. Installer must adjust blower speed as needed.
- For most jobs, about 400 CFM per ton when cooling is desirable.
- INSTALLATION IS TO BE ADJUSTED TO OBTAIN TEMPERATURE RISE WITHIN THE RANGE SPECIFIED ON THE RATING PLATE.

PCBBF139

DM80VE0803B* - COOLING

DIP SWITCHES S1-1 S1-2 S1-3	STATIC	0.1	0.2	0.3	0.4	0.5	0.6	0.7	0.8
	TSTAT CALL	CFM	CFM	CFM	CFM	CFM	CFM	CFM	CFM
OFF OFF OFF*	Ylo	1160	1107	1060	1011	965	920	868	818
	Y	1231	1185	1136	1093	1049	1004	956	908
ON OFF OFF	Ylo	706	631	563	486	404	338	280	232
	Y	1160	1107	1060	1011	965	920	868	818
ON ON OFF	Ylo	706	631	563	486	404	338	280	232
	Y	1231	1185	1136	1093	1049	1004	956	908
OFF ON OFF	Ylo	1160	1107	1060	1011	965	920	868	818
	Y	1133	1009	956	903	856	804	774	722
OFF OFF ON	Ylo	1160	1107	1060	1011	965	920	868	818
	Y	1402	1358	1317	1274	1234	1195	1154	1113
OFF ON ON	Ylo	706	631	563	486	404	338	280	232
	Y	1133	1009	956	903	856	804	774	722
ON OFF ON	Ylo	1402	1358	1317	1274	1234	1195	1154	1113
	Y	1231	1185	1136	1093	1049	1004	956	908
ON ON ON	Ylo	1402	1358	1317	1274	1234	1195	1154	1113
	Y	706	631	563	486	404	338	280	232

*DEFAULT

PCBBF139

DM80VE0803B* - CONTINUOUS FAN

DIP SWITCHES S2-2 S2-3 S2-4	STATIC	0.1	0.2	0.3	0.4	0.5	0.6	0.7	0.8
	TSTAT CALL	CFM	CFM	CFM	CFM	CFM	CFM	CFM	CFM
	G	1133	1009	956	903	856	804	774	722
ON OFF OFF	G	1402	1358	1317	1274	1234	1195	1154	1113
ON ON OFF	G	706	631	563	486	404	338	280	232
OFF ON OFF	G	1160	1107	1060	1011	965	920	868	818
OFF OFF ON	G	1231	1185	1136	1093	1049	1004	956	908
OFF ON ON	G	1133	1009	956	903	856	804	774	722
ON OFF ON	G	1133	1009	956	903	856	804	774	722
ON ON ON	G	1133	1009	956	903	856	804	774	722

PCBBF139

DM80VE0803B* - HEATING

DIP SWITCHES S1-4 S2-1	STATIC	0.1		0.2		0.3		0.4		0.5		0.6	0.7	0.8
	TSTAT CALL	CFM	RISE	CFM	RISE	CFM	RISE	CFM	RISE	CFM	RISE	CFM	CFM	CFM
OFF OFF*	W1	1133	37	1009	41	956	43	903	46	856	48	804	774	722
	W2	1402	42	1358	44	1317	45	1274	47	1234	48	1195	1154	1113
ON OFF**	W1	706	N/A	631	N/A	563	N/A	486	N/A	404	N/A	338	280	232
	W2	1402	N/A	1358	N/A	1317	N/A	1274	N/A	1234	N/A	1195	1154	1113
ON ON**	W1	706	N/A	631	N/A	563	N/A	486	N/A	404	N/A	338	280	232
	W2	1160	N/A	1107	N/A	1060	N/A	1011	N/A	965	N/A	920	868	818
OFF ON	W1	1160	36	1107	37	1060	39	1011	41	965	43	920	868	818
	W2	1231	48	1185	50	1136	52	1093	54	1049	56	1004	956	908

*DEFAULT

**NOT RECOMMENDED

NOTES

- All furnaces ship as high speed for cooling. Installer must adjust blower speed as needed.
- For most jobs, about 400 CFM per ton when cooling is desirable.
- INSTALLATION IS TO BE ADJUSTED TO OBTAIN TEMPERATURE RISE WITHIN THE RANGE SPECIFIED ON THE RATING PLATE.

PCBBF139 DM80VE0805D* - COOLING

DIP SWITCHES S1-1 S1-2 S1-3	STATIC	0.1	0.2	0.3	0.4	0.5	0.6	0.7	0.8
	TSTAT CALL	CFM	CFM	CFM	CFM	CFM	CFM	CFM	CFM
OFF OFF OFF*	Ylo	1698	1621	1553	1497	1437	1393	1328	1270
	Y	2266	2202	2143	2090	2040	1995	1945	1896
ON OFF OFF	Ylo	1088	999	899	772	667	561	490	418
	Y	1698	1621	1553	1497	1437	1393	1328	1270
ON ON OFF	Ylo	1088	999	899	772	667	561	490	418
	Y	2266	2202	2143	2090	2040	1995	1945	1896
OFF ON OFF	Ylo	1698	1621	1553	1497	1437	1393	1328	1270
	Y	1450	1382	1314	1243	1181	1115	1047	973
OFF OFF ON	ylo	1698	1621	1553	1497	1437	1393	1328	1270
	Y	1886	1822	1758	1701	1646	1591	1535	1482
OFF ON ON	ylo	1088	999	899	772	667	561	490	418
	Y	1450	1382	1314	1243	1181	1115	1047	973
ON OFF ON	ylo	1886	1822	1758	1701	1646	1591	1535	1482
	Y	2266	2202	2143	2090	2040	1995	1945	1896
ON ON ON	ylo	1886	1822	1758	1701	1646	1591	1535	1482
	Y	1088	999	899	772	667	561	490	418

*DEFAULT

PCBBF139 DM80VE0805D* - CONTINUOUS FAN

DIP SWITCHES S2-2 S2-3 S2-4	STATIC	0.1	0.2	0.3	0.4	0.5	0.6	0.7	0.8
	TSTAT CALL	CFM	CFM	CFM	CFM	CFM	CFM	CFM	CFM
	G	1450	1382	1314	1243	1181	1115	1047	973
ON OFF OFF	G	1886	1822	1758	1701	1646	1591	1535	1482
ON ON OFF	G	1088	999	899	772	667	561	490	418
OFF ON OFF	G	1698	1621	1553	1497	1437	1393	1328	1270
OFF OFF ON	G	2266	2202	2143	2090	2040	1995	1945	1896
OFF ON ON	G	1450	1382	1314	1243	1181	1115	1047	973
ON OFF ON	G	1450	1382	1314	1243	1181	1115	1047	973
ON ON ON	G	1450	1382	1314	1243	1181	1115	1047	973

PCBBF139 DM80VE0805D* - HEATING

DIP SWITCHES S1-4 S2-1	STATIC	0.1		0.2		0.3		0.4		0.5		0.6	0.7	0.8
	TSTAT CALL	CFM	RISE	CFM	RISE	CFM	RISE	CFM	RISE	CFM	RISE	CFM	CFM	CFM
OFF OFF*	W1	1450	29	1382	30	1314	32	1243	33	1181	35	1115	1047	973
	W2	1886	31	1822	33	1758	34	1701	35	1646	36	1591	1535	1482
ON OFF	W1	1088	38	999	42	899	46	772	N/A	667	N/A	561	490	418
	W2	1886	31	1822	33	1758	34	1701	35	1646	36	1591	1535	1482
ON ON	W1	1088	38	999	42	899	46	772	N/A	667	N/A	561	490	418
	W2	1698	35	1621	37	1553	38	1497	40	1437	41	1393	1328	1270
OFF ON	W1	1698	24	1621	26	1553	27	1497	28	1437	29	1393	1328	1270
	W2	2266	26	2202	27	2143	28	2090	28	2040	29	1995	1945	1896

*DEFAULT

NOTES

- All furnaces ship as high speed for cooling. Installer must adjust blower speed as needed.
- For most jobs, about 400 CFM per ton when cooling is desirable.
- INSTALLATION IS TO BE ADJUSTED TO OBTAIN TEMPERATURE RISE WITHIN THE RANGE SPECIFIED ON THE RATING PLATE.

PCBBF139

DM80VE0805C* - COOLING

DIP SWITCHES S1-1 S1-2 S1-3	STATIC	0.1	0.2	0.3	0.4	0.5	0.6	0.7	0.8
	TSTAT CALL	CFM	CFM	CFM	CFM	CFM	CFM	CFM	CFM
OFF OFF OFF*	Ylo	1583	1536	1515	1478	1434	1383	1317	1265
	Y	2145	2089	2058	2036	2020	2000	1971	1935
ON OFF OFF	Ylo	1171	884	667	576	495	399	338	302
	Y	1583	1536	1515	1478	1434	1383	1317	1265
ON ON OFF	Ylo	1171	884	667	576	495	399	338	302
	Y	2145	2089	2058	2036	2020	2000	1971	1935
OFF ON OFF	Ylo	1583	1536	1515	1478	1434	1383	1317	1265
	Y	1436	1402	1362	1313	1244	1182	1132	1079
OFF OFF ON	ylo	1583	1536	1515	1478	1434	1383	1317	1265
	Y	1782	1744	1715	1700	1660	1619	1579	1510
OFF ON ON	ylo	1171	884	667	576	495	399	338	302
	Y	1436	1402	1362	1313	1244	1182	1132	1079
ON OFF ON	ylo	1782	1744	1715	1700	1660	1619	1579	1510
	Y	2145	2089	2058	2036	2020	2000	1971	1935
ON ON ON	ylo	1782	1744	1715	1700	1660	1619	1579	1510
	Y	1171	884	667	576	495	399	338	302

*DEFAULT

PCBBF139

DM80VE0805C* - CONTINUOUS FAN

DIP SWITCHES S2-2 S2-3 S2-4	STATIC	0.1	0.2	0.3	0.4	0.5	0.6	0.7	0.8
	TSTAT CALL	CFM	CFM	CFM	CFM	CFM	CFM	CFM	CFM
	G	1436	1402	1362	1313	1244	1182	1132	1079
ON OFF OFF	G	1782	1744	1715	1700	1660	1619	1579	1510
ON ON OFF	G	1171	884	667	576	495	399	338	302
OFF ON OFF	G	1583	1536	1515	1478	1434	1383	1317	1265
OFF OFF ON	G	2145	2089	2058	2036	2020	2000	1971	1935
OFF ON ON	G	1436	1402	1362	1313	1244	1182	1132	1079
ON OFF ON	G	1436	1402	1362	1313	1244	1182	1132	1079
ON ON ON	G	1436	1402	1362	1313	1244	1182	1132	1079

PCBBF139

DM80VE0805C* - HEATING

DIP SWITCHES S1-4 S2-1	STATIC	0.1		0.2		0.3		0.4		0.5		0.6	0.7	0.8
	TSTAT CALL	CFM	RISE	CFM	RISE	CFM	RISE	CFM	RISE	CFM	RISE	CFM	CFM	CFM
OFF OFF*	W1	1436	29	1402	30	1362	30	1313	32	1244	33	1182	1132	1079
	W2	1782	33	1744	34	1715	35	1700	35	1660	36	1619	1579	1510
ON OFF	W1	1171	35	884	47	667	N/A	576	N/A	495	N/A	399	338	302
	W2	1782	33	1744	34	1715	35	1700	35	1660	36	1619	1579	1510
ON ON	W1	1171	35	884	47	667	N/A	576	N/A	495	N/A	399	338	302
	W2	1583	37	1536	39	1515	39	1478	40	1434	41	1383	1317	1265
OFF ON**	W1	1583	N/A	1536	N/A	1515	N/A	1478	N/A	1434	N/A	1383	1317	1265
	W2	2145	N/A	2089	N/A	2058	N/A	2036	N/A	2020	N/A	2000	1971	1935

*DEFAULT

**NOT RECOMMENDED

NOTES

- All furnaces ship as high speed for cooling. Installer must adjust blower speed as needed.
- For most jobs, about 400 CFM per ton when cooling is desirable.
- INSTALLATION IS TO BE ADJUSTED TO OBTAIN TEMPERATURE RISE WITHIN THE RANGE SPECIFIED ON THE RATING PLATE.

PCBBF139 DM80VE1205D* - COOLING

DIP SWITCHES S1-1 S1-2 S1-3	STATIC	0.1	0.2	0.3	0.4	0.5	0.6	0.7	0.8
	TSTAT CALL	CFM	CFM	CFM	CFM	CFM	CFM	CFM	CFM
OFF OFF OFF*	Ylo	1627	1566	1520	1470	1420	1398	1391	1343
	Y	2226	2165	2126	2083	2048	2011	1983	1945
ON OFF OFF	Ylo	815	742	662	590	503	422	362	299
	Y	1627	1566	1520	1470	1420	1398	1391	1343
ON ON OFF	Ylo	815	742	662	590	503	422	362	299
	Y	2226	2165	2126	2083	2048	2011	1983	1945
OFF ON OFF	Ylo	1627	1566	1520	1470	1420	1398	1391	1343
	Y	1381	1324	1274	1220	1164	1137	1109	1049
OFF OFF ON	ylo	1627	1566	1520	1470	1420	1398	1391	1343
	Y	1831	1770	1723	1677	1630	1590	1547	1506
OFF ON ON	ylo	815	742	662	590	503	422	362	299
	Y	1381	1324	1274	1220	1164	1137	1109	1049
ON OFF ON	ylo	1831	1770	1723	1677	1630	1590	1547	1506
	Y	2226	2165	2126	2083	2048	2011	1983	1945
ON ON ON	ylo	1831	1770	1723	1677	1630	1590	1547	1506
	Y	815	742	662	590	503	422	362	299

*DEFAULT

PCBBF139 DM80VE1205D* - CONTINUOUS FAN

DIP SWITCHES S2-2 S2-3 S2-4	STATIC	0.1	0.2	0.3	0.4	0.5	0.6	0.7	0.8
	TSTAT CALL	CFM	CFM	CFM	CFM	CFM	CFM	CFM	CFM
	G	1381	1324	1274	1220	1164	1137	1109	1049
ON OFF OFF	G	1831	1770	1723	1677	1630	1590	1547	1506
ON ON OFF	G	815	742	662	590	503	422	362	299
OFF ON OFF	G	1627	1566	1520	1470	1420	1398	1391	1343
OFF OFF ON	G	2226	2165	2126	2083	2048	2011	1983	1945
OFF ON ON	G	1381	1324	1274	1220	1164	1137	1109	1049
ON OFF ON	G	1381	1324	1274	1220	1164	1137	1109	1049
ON ON ON	G	1381	1324	1274	1220	1164	1137	1109	1049

PCBBF139 DM80VE1205D* - HEATING

DIP SWITCHES S1-4 S2-1	STATIC	0.1		0.2		0.3		0.4		0.5		0.6	0.7	0.8
	TSTAT CALL	CFM	RISE	CFM	RISE	CFM	RISE	CFM	RISE	CFM	RISE	CFM	CFM	CFM
OFF OFF*	W1	1381	45	1324	47	1274	49	1220	51	1164	53	1137	1109	1049
	W2	1831	49	1770	50	1723	52	1677	53	1630	55	1590	1547	1506
ON OFF**	W1	815	N/A	742	N/A	662	N/A	590	N/A	503	N/A	422	362	299
	W2	1831	N/A	1770	N/A	1723	N/A	1677	N/A	1630	N/A	1590	1547	1506
ON ON**	W1	815	N/A	742	N/A	662	N/A	590	N/A	503	N/A	422	362	299
	W2	1627	N/A	1566	N/A	1520	N/A	1470	N/A	1420	N/A	1398	1391	1343
OFF ON	W1	1627	38	1566	40	1520	41	1470	42	1420	44	1398	1391	1343
	W2	2226	40	2165	41	2126	42	2083	43	2048	43	2011	1983	1945

*DEFAULT **NOT RECOMMENDED

NOTES

- All furnaces ship as high speed for cooling. Installer must adjust blower speed as needed.
- For most jobs, about 400 CFM per ton when cooling is desirable.
- INSTALLATION IS TO BE ADJUSTED TO OBTAIN TEMPERATURE RISE WITHIN THE RANGE SPECIFIED ON THE RATING PLATE.

PCBBF139

DC80VE0403A* - COOLING

DIP SWITCHES S1-1 S1-2 S1-3	STATIC	0.1	0.2	0.3	0.4	0.5	0.6	0.7	0.8
	TSTAT CALL	CFM	CFM	CFM	CFM	CFM	CFM	CFM	CFM
OFF OFF OFF*	Ylo	785	754	736	690	650	604	565	527
	Y	1348	1294	1261	1250	1229	1233	1205	1182
ON OFF OFF	Ylo	663	647	597	551	501	458	408	355
	Y	785	754	736	690	650	604	565	527
ON ON OFF	Ylo	663	647	597	551	501	458	408	355
	Y	1348	1294	1261	1250	1229	1233	1205	1182
OFF ON OFF	Ylo	785	754	736	690	650	604	565	527
	Y	591	568	518	463	411	355	300	243
OFF OFF ON	ylo	785	754	736	690	650	604	565	527
	Y	1104	1058	1020	1022	1013	981	952	918
OFF ON ON	ylo	663	647	597	551	501	458	408	355
	Y	591	568	518	463	411	355	300	243
ON OFF ON	ylo	1104	1058	1020	1022	1013	981	952	918
	Y	1348	1294	1261	1250	1229	1233	1205	1182
ON ON ON	ylo	1104	1058	1020	1022	1013	981	952	918
	Y	663	647	597	551	501	458	408	355

*DEFAULT

PCBBF139

DC80VE0403A* - CONTINUOUS FAN

DIP SWITCHES S2-2 S2-3 S2-4	STATIC	0.1	0.2	0.3	0.4	0.5	0.6	0.7	0.8
	TSTAT CALL	CFM	CFM	CFM	CFM	CFM	CFM	CFM	CFM
OFF OFF OFF	G	591	568	518	463	411	355	300	243
ON OFF OFF	G	1104	1058	1020	1022	1013	981	952	918
ON ON OFF	G	663	647	597	551	501	458	408	355
OFF ON OFF	G	785	754	736	690	650	604	565	527
OFF OFF ON	G	1348	1294	1261	1250	1229	1233	1205	1182
OFF ON ON	G	591	568	518	463	411	355	300	243
ON OFF ON	G	591	568	518	463	411	355	300	243
ON ON ON	G	591	568	518	463	411	355	300	243

PCBBF139

DC80VE0403A* - HEATING

DIP SWITCHES S1-4 S2-1	STATIC	0.1		0.2		0.3		0.4		0.5		0.6	0.7	0.8
	TSTAT CALL	CFM	RISE	CFM	RISE	CFM	RISE	CFM	RISE	CFM	RISE	CFM	CFM	CFM
OFF OFF*	W1	591	35	568	37	518	40	463	45	411	N/A	355	300	243
	W2	1104	27	1058	28	1020	29	1022	29	1013	29	981	952	918
ON OFF	W1	663	31	647	32	597	35	551	38	501	41	458	408	355
	W2	1104	27	1058	28	1020	29	1022	29	1013	29	981	952	918
ON ON	W1	663	31	647	32	597	35	551	38	501	41	458	408	355
	W2	785	38	754	39	736	40	690	43	650	N/A	604	565	527
OFF ON	W1	785	26	754	28	736	28	690	30	650	32	604	565	527
	W2	1348	22	1294	23	1261	23	1250	24	1229	24	1233	1205	1182

*DEFAULT

NOTES

- All furnaces ship as high speed for cooling. Installer must adjust blower speed as needed.
- For most jobs, about 400 CFM per ton when cooling is desirable.
- INSTALLATION IS TO BE ADJUSTED TO OBTAIN TEMPERATURE RISE WITHIN THE RANGE SPECIFIED ON THE RATING PLATE.

See Notes on page 10.

PCBBF139 DC80VE0603A* - COOLING

DIP SWITCHES S1-1 S1-2 S1-3	STATIC	0.1	0.2	0.3	0.4	0.5	0.6	0.7	0.8
	TSTAT CALL	CFM	CFM	CFM	CFM	CFM	CFM	CFM	CFM
OFF OFF OFF*	Ylo	1160	1102	1055	1017	970	930	891	847
	Y	1411	1356	1313	1272	1235	1198	1162	1127
ON OFF OFF	Ylo	656	589	532	465	402	348	271	219
	Y	1160	1102	1055	1017	970	930	891	847
ON ON OFF	Ylo	656	589	532	465	402	348	271	219
	Y	1411	1356	1313	1272	1235	1198	1162	1127
OFF ON OFF	Ylo	1160	1102	1055	1017	970	930	891	847
	Y	716	647	592	541	478	420	368	296
OFF OFF ON	ylo	1160	1102	1055	1017	970	930	891	847
	Y	1054	1002	951	906	861	820	797	754
OFF ON ON	ylo	656	589	532	465	402	348	271	219
	Y	716	647	592	541	478	420	368	296
ON OFF ON	ylo	1054	1002	951	906	861	820	797	754
	Y	1411	1356	1313	1272	1235	1198	1162	1127
ON ON ON	ylo	1054	1002	951	906	861	820	797	754
	Y	656	589	532	465	402	348	271	219

*DEFAULT

PCBBF139 DC80VE0603A* - CONTINUOUS FAN

DIP SWITCHES S2-2 S2-3 S2-4	STATIC	0.1	0.2	0.3	0.4	0.5	0.6	0.7	0.8
	TSTAT CALL	CFM	CFM	CFM	CFM	CFM	CFM	CFM	CFM
	G	716	647	592	541	478	420	368	296
ON OFF OFF	G	1054	1002	951	906	861	820	797	754
ON ON OFF	G	656	589	532	465	402	348	271	219
OFF ON OFF	G	1160	1102	1055	1017	970	930	891	847
OFF OFF ON	G	1411	1356	1313	1272	1235	1198	1162	1127
OFF ON ON	G	716	647	592	541	478	420	368	296
ON OFF ON	G	716	647	592	541	478	420	368	296
ON ON ON	G	716	647	592	541	478	420	368	296

PCBBF139 DC80VE0603A* - HEATING

DIP SWITCHES S1-4 S2-1	STATIC	0.1		0.2		0.3		0.4		0.5		0.6	0.7	0.8
	TSTAT CALL	CFM	RISE	CFM	RISE	CFM	RISE	CFM	RISE	CFM	RISE	CFM	CFM	CFM
OFF OFF*	W1	716	43	647	48	592	53	541	58	478	N/A	420	368	296
	W2	1054	42	1002	44	951	47	906	49	861	52	820	797	754
ON OFF	W1	656	47	589	53	532	58	465	N/A	402	N/A	348	271	219
	W2	1054	42	1002	44	951	47	906	49	861	52	820	797	754
ON ON	W1	656	47	589	53	532	58	465	N/A	402	N/A	348	271	219
	W2	1160	38	1102	40	1055	42	1017	44	970	46	930	891	847
OFF ON**	W1	1160	N/A	1102	N/A	1055	N/A	1017	N/A	970	N/A	930	891	847
	W2	1411	N/A	1356	N/A	1313	N/A	1272	N/A	1235	N/A	1198	1162	1127

*DEFAULT **NOT RECOMMENDED

NOTES

- All furnaces ship as high speed for cooling. Installer must adjust blower speed as needed.
- For most jobs, about 400 CFM per ton when cooling is desirable.
- INSTALLATION IS TO BE ADJUSTED TO OBTAIN TEMPERATURE RISE WITHIN THE RANGE SPECIFIED ON THE RATING PLATE.

PCBBF139

DC80VE0603B* - COOLING

DIP SWITCHES S1-1 S1-2 S1-3	STATIC	0.1	0.2	0.3	0.4	0.5	0.6	0.7	0.8
	TSTAT CALL	CFM	CFM	CFM	CFM	CFM	CFM	CFM	CFM
OFF OFF OFF*	Ylo	1223	1144	1081	995	918	839	798	738
	Y	1395	1332	1272	1207	1136	1074	1007	948
ON OFF OFF	Ylo	1032	800	578	487	387	301	235	151
	Y	1223	1144	1081	995	918	839	798	738
ON ON OFF	Ylo	1032	800	578	487	387	301	235	151
	Y	1395	1332	1272	1207	1136	1074	1007	948
OFF ON OFF	Ylo	1223	1144	1081	995	918	839	798	738
	Y	1025	850	754	670	594	520	443	366
OFF OFF ON	ylo	1223	1144	1081	995	918	839	798	738
	Y	1258	1179	1115	1030	954	885	814	776
OFF ON ON	ylo	1032	800	578	487	387	301	235	151
	Y	1025	850	754	670	594	520	443	366
ON OFF ON	ylo	1258	1179	1115	1030	954	885	814	776
	Y	1395	1332	1272	1207	1136	1074	1007	948
ON ON ON	ylo	1258	1179	1115	1030	954	885	814	776
	Y	1032	800	578	487	387	301	235	151

*DEFAULT

PCBBF139

DC80VE0603B* - CONTINUOUS FAN

DIP SWITCHES S2-2 S2-3 S2-4	STATIC	0.1	0.2	0.3	0.4	0.5	0.6	0.7	0.8
	TSTAT CALL	CFM	CFM	CFM	CFM	CFM	CFM	CFM	CFM
	G	1025	850	754	670	594	520	443	366
ON OFF OFF	G	1258	1179	1115	1030	954	885	814	776
ON ON OFF	G	1032	800	578	487	387	301	235	151
OFF ON OFF	G	1223	1144	1081	995	918	839	798	738
OFF OFF ON	G	1395	1332	1272	1207	1136	1074	1007	948
OFF ON ON	G	1025	850	754	670	594	520	443	366
ON OFF ON	G	1025	850	754	670	594	520	443	366
ON ON ON	G	1025	850	754	670	594	520	443	366

PCBBF139

DC80VE0603B* - HEATING

DIP SWITCHES S1-4 S2-1	STATIC	0.1		0.2		0.3		0.4		0.5		0.6	0.7	0.8
	TSTAT CALL	CFM	RISE	CFM	RISE	CFM	RISE	CFM	RISE	CFM	RISE	CFM	CFM	CFM
OFF OFF*	W1	1025	30	850	37	754	41	670	46	594	52	520	443	366
	W2	1258	35	1179	38	1115	40	1030	43	954	47	885	814	776
ON OFF	W1	1032	30	800	39	578	54	487	N/A	387	N/A	301	235	151
	W2	1258	35	1179	38	1115	40	1030	43	954	47	885	814	776
ON ON	W1	1032	30	800	39	578	54	487	N/A	387	N/A	301	235	151
	W2	1223	36	1144	39	1081	41	995	45	918	48	839	798	738
OFF ON**	W1	1223	N/A	1144	N/A	1081	N/A	995	N/A	918	N/A	839	798	738
	W2	1395	N/A	1332	N/A	1272	N/A	1207	N/A	1136	N/A	1074	1007	948

*DEFAULT

**NOT RECOMMENDED

NOTES

- All furnaces ship as high speed for cooling. Installer must adjust blower speed as needed.
- For most jobs, about 400 CFM per ton when cooling is desirable.
- INSTALLATION IS TO BE ADJUSTED TO OBTAIN TEMPERATURE RISE WITHIN THE RANGE SPECIFIED ON THE RATING PLATE.

PCBBF139

DC80VE0804B* - COOLING

DIP SWITCHES S1-1 S1-2 S1-3	STATIC	0.1	0.2	0.3	0.4	0.5	0.6	0.7	0.8
	TSTAT CALL	CFM	CFM	CFM	CFM	CFM	CFM	CFM	CFM
OFF OFF OFF*	Ylo	1596	1553	1512	1491	1450	1411	1388	1347
	Y	1757	1713	1691	1664	1625	1588	1552	1522
ON OFF OFF	Ylo	784	716	645	583	516	405	334	282
	Y	1596	1553	1512	1491	1450	1411	1388	1347
ON ON OFF	Ylo	784	716	645	583	516	405	334	282
	Y	1757	1713	1691	1664	1625	1588	1552	1522
OFF ON OFF	Ylo	1596	1553	1512	1491	1450	1411	1388	1347
	Y	1040	973	936	918	859	805	770	720
OFF OFF ON	ylo	1596	1553	1512	1491	1450	1411	1388	1347
	Y	1401	1366	1320	1278	1236	1194	1153	1112
OFF ON ON	ylo	784	716	645	583	516	405	334	282
	Y	1040	973	936	918	859	805	770	720
ON OFF ON	ylo	1401	1366	1320	1278	1236	1194	1153	1112
	Y	1757	1713	1691	1664	1625	1588	1552	1522
ON ON ON	ylo	1401	1366	1320	1278	1236	1194	1153	1112
	Y	784	716	645	583	516	405	334	282

*DEFAULT

PCBBF139

DC80VE0804B* - CONTINUOUS FAN

DIP SWITCHES S2-2 S2-3 S2-4	STATIC	0.1	0.2	0.3	0.4	0.5	0.6	0.7	0.8
	TSTAT CALL	CFM	CFM	CFM	CFM	CFM	CFM	CFM	CFM
	G	1040	973	936	918	859	805	770	720
ON OFF OFF	G	1401	1366	1320	1278	1236	1194	1153	1112
ON ON OFF	G	784	716	645	583	516	405	334	282
OFF ON OFF	G	1596	1553	1512	1491	1450	1411	1388	1347
OFF OFF ON	G	1757	1713	1691	1664	1625	1588	1552	1522
OFF ON ON	G	1040	973	936	918	859	805	770	720
ON OFF ON	G	1040	973	936	918	859	805	770	720
ON ON ON	G	1040	973	936	918	859	805	770	720

PCBBF139

DC80VE0804B* - HEATING

DIP SWITCHES S1-4 S2-1	STATIC	0.1		0.2		0.3		0.4		0.5		0.6	0.7	0.8
	TSTAT CALL	CFM	RISE	CFM	RISE	CFM	RISE	CFM	RISE	CFM	RISE	CFM	CFM	CFM
OFF OFF*	W1	1040	40	973	43	936	44	918	45	859	48	805	770	720
	W2	1401	42	1366	43	1320	45	1278	46	1236	48	1194	1153	1112
ON OFF	W1	784	53	716	58	645	N/A	583	N/A	516	N/A	405	334	282
	W2	1401	42	1366	43	1320	45	1278	46	1236	48	1194	1153	1112
ON ON	W1	784	53	716	58	645	N/A	583	N/A	516	N/A	405	334	282
	W2	1596	37	1553	38	1512	39	1491	40	1450	41	1411	1388	1347
OFF ON**	W1	1596	N/A	1553	N/A	1512	N/A	1491	N/A	1450	N/A	1411	1388	1347
	W2	1757	N/A	1713	N/A	1691	N/A	1664	N/A	1625	N/A	1588	1552	1522

*DEFAULT

**NOT RECOMMENDED

NOTES

- All furnaces ship as high speed for cooling. Installer must adjust blower speed as needed.
- For most jobs, about 400 CFM per ton when cooling is desirable.
- INSTALLATION IS TO BE ADJUSTED TO OBTAIN TEMPERATURE RISE WITHIN THE RANGE SPECIFIED ON THE RATING PLATE.

MINIMUM FILTER SIZES

MODEL #	DM80VE0604B*	DM80VE0805C*	DM80VE1005C*
Filter Size (in ²)	(1) 16 x 25 (Side or Bottom)	(1) 16 x 25 (Side or Bottom) ¹	(2) 16 x 25 (Side) or (1) 20 x 25 (Bottom)

Note: Other size filters of equal or greater surface area may be used; filters may also be centrally located.

¹ Use 2 - 16 X 25 filters on side returns or 20 X 25 filter on bottom return if furnace is connected to a cooling unit over 4 tons nominal capacity.

PCBBF139

DC80VE0805C* - COOLING

DIP SWITCHES S1-1 S1-2 S1-3	STATIC	0.1	0.2	0.3	0.4	0.5	0.6	0.7	0.8
	TSTAT CALL	CFM	CFM	CFM	CFM	CFM	CFM	CFM	CFM
OFF OFF OFF*	Ylo	1782	1744	1715	1700	1660	1619	1579	1510
	Y	2145	2089	2058	2036	2020	2000	1971	1935
ON OFF OFF	Ylo	1171	884	667	576	495	399	338	302
	Y	1782	1744	1715	1700	1660	1619	1579	1510
ON ON OFF	Ylo	1171	884	667	576	495	399	338	302
	Y	2145	2089	2058	2036	2020	2000	1971	1935
OFF ON OFF	Ylo	1782	1744	1715	1700	1660	1619	1579	1510
	Y	1175	1098	1024	947	883	823	764	703
OFF OFF ON	ylo	1782	1744	1715	1700	1660	1619	1579	1510
	Y	1547	1506	1474	1442	1390	1332	1273	1222
OFF ON ON	ylo	1171	884	667	576	495	399	338	302
	Y	1175	1098	1024	947	883	823	764	703
ON OFF ON	ylo	1547	1506	1474	1442	1390	1332	1273	1222
	Y	2145	2089	2058	2036	2020	2000	1971	1935
ON ON ON	ylo	1547	1506	1474	1442	1390	1332	1273	1222
	Y	1171	884	667	576	495	399	338	302

*DEFAULT

PCBBF139

DC80VE0805C* - CONTINUOUS FAN

DIP SWITCHES S2-2 S2-3 S2-4	STATIC	0.1	0.2	0.3	0.4	0.5	0.6	0.7	0.8
	TSTAT CALL	CFM	CFM	CFM	CFM	CFM	CFM	CFM	CFM
	G	1175	1098	1024	947	883	823	764	703
ON OFF OFF	G	1547	1506	1474	1442	1390	1332	1273	1222
ON ON OFF	G	1171	884	667	576	495	399	338	302
OFF ON OFF	G	1782	1744	1715	1700	1660	1619	1579	1510
OFF OFF ON	G	2145	2089	2058	2036	2020	2000	1971	1935
OFF ON ON	G	1175	1098	1024	947	883	823	764	703
ON OFF ON	G	1175	1098	1024	947	883	823	764	703
ON ON ON	G	1175	1098	1024	947	883	823	764	703

PCBBF139

DC80VE0805C* - HEATING

DIP SWITCHES S1-4 S2-1	STATIC	0.1		0.2		0.3		0.4		0.5		0.6	0.7	0.8
	TSTAT CALL	CFM	RISE	CFM	RISE	CFM	RISE	CFM	RISE	CFM	RISE	CFM	CFM	CFM
OFF OFF*	W1	1175	35	1098	38	1024	41	947	44	883	47	823	764	703
	W2	1547	38	1506	39	1474	40	1442	41	1390	43	1332	1273	1222
ON OFF	W1	1171	35	884	47	667	N/A	576	N/A	495	N/A	399	338	302
	W2	1547	38	1506	39	1474	40	1442	41	1390	43	1332	1273	1222
ON ON**	W1	1171	N/A	884	N/A	667	N/A	576	N/A	495	N/A	399	338	302
	W2	1782	N/A	1744	N/A	1715	N/A	1700	N/A	1660	N/A	1619	1579	1510
OFF ON**	W1	1782	N/A	1744	N/A	1715	N/A	1700	N/A	1660	N/A	1619	1579	1510
	W2	2145	N/A	2089	N/A	2058	N/A	2036	N/A	2020	N/A	2000	1971	1935

*DEFAULT

**NOT RECOMMENDED

NOTES

- All furnaces ship as high speed for cooling. Installer must adjust blower speed as needed.
- For most jobs, about 400 CFM per ton when cooling is desirable.
- INSTALLATION IS TO BE ADJUSTED TO OBTAIN TEMPERATURE RISE WITHIN THE RANGE SPECIFIED ON THE RATING PLATE.

PCBBF139 D*80VE1005C* - COOLING

DIP SWITCHES S1-1 S1-2 S1-3	STATIC	0.1	0.2	0.3	0.4	0.5	0.6	0.7	0.8
	TSTAT CALL	CFM	CFM	CFM	CFM	CFM	CFM	CFM	CFM
OFF OFF OFF*	Ylo	1820	1769	1726	1685	1642	1603	1557	1521
	Y	2235	2185	2139	2108	2076	2032	2000	1964
ON OFF OFF	Ylo	803	719	631	540	471	337	298	265
	Y	1820	1769	1726	1685	1642	1603	1557	1521
ON ON OFF	Ylo	803	719	631	540	471	337	298	265
	Y	2235	2185	2139	2108	2076	2032	2000	1964
OFF ON OFF	Ylo	1820	1769	1726	1685	1642	1603	1557	1521
	Y	1626	1574	1524	1479	1433	1410	1400	1358
OFF OFF ON	ylo	1820	1769	1726	1685	1642	1603	1557	1521
	Y	2169	2116	2070	2038	2003	1970	1933	1897
OFF ON ON	ylo	803	719	631	540	471	337	298	265
	Y	1626	1574	1524	1479	1433	1410	1400	1358
ON OFF ON	ylo	2169	2116	2070	2038	2003	1970	1933	1897
	Y	2235	2185	2139	2108	2076	2032	2000	1964
ON ON ON	ylo	2169	2116	2070	2038	2003	1970	1933	1897
	Y	803	719	631	540	471	337	298	265

*DEFAULT

PCBBF139 D*80VE1005C* - CONTINUOUS FAN

DIP SWITCHES S2-2 S2-3 S2-4	STATIC	0.1	0.2	0.3	0.4	0.5	0.6	0.7	0.8
	TSTAT CALL	CFM	CFM	CFM	CFM	CFM	CFM	CFM	CFM
	G	1626	1574	1524	1479	1433	1410	1400	1358
ON OFF OFF	G	2169	2116	2070	2038	2003	1970	1933	1897
ON ON OFF	G	803	719	631	540	471	337	298	265
OFF ON OFF	G	1820	1769	1726	1685	1642	1603	1557	1521
OFF OFF ON	G	2235	2185	2139	2108	2076	2032	2000	1964
OFF ON ON	G	1626	1574	1524	1479	1433	1410	1400	1358
ON OFF ON	G	1626	1574	1524	1479	1433	1410	1400	1358
ON ON ON	G	1626	1574	1524	1479	1433	1410	1400	1358

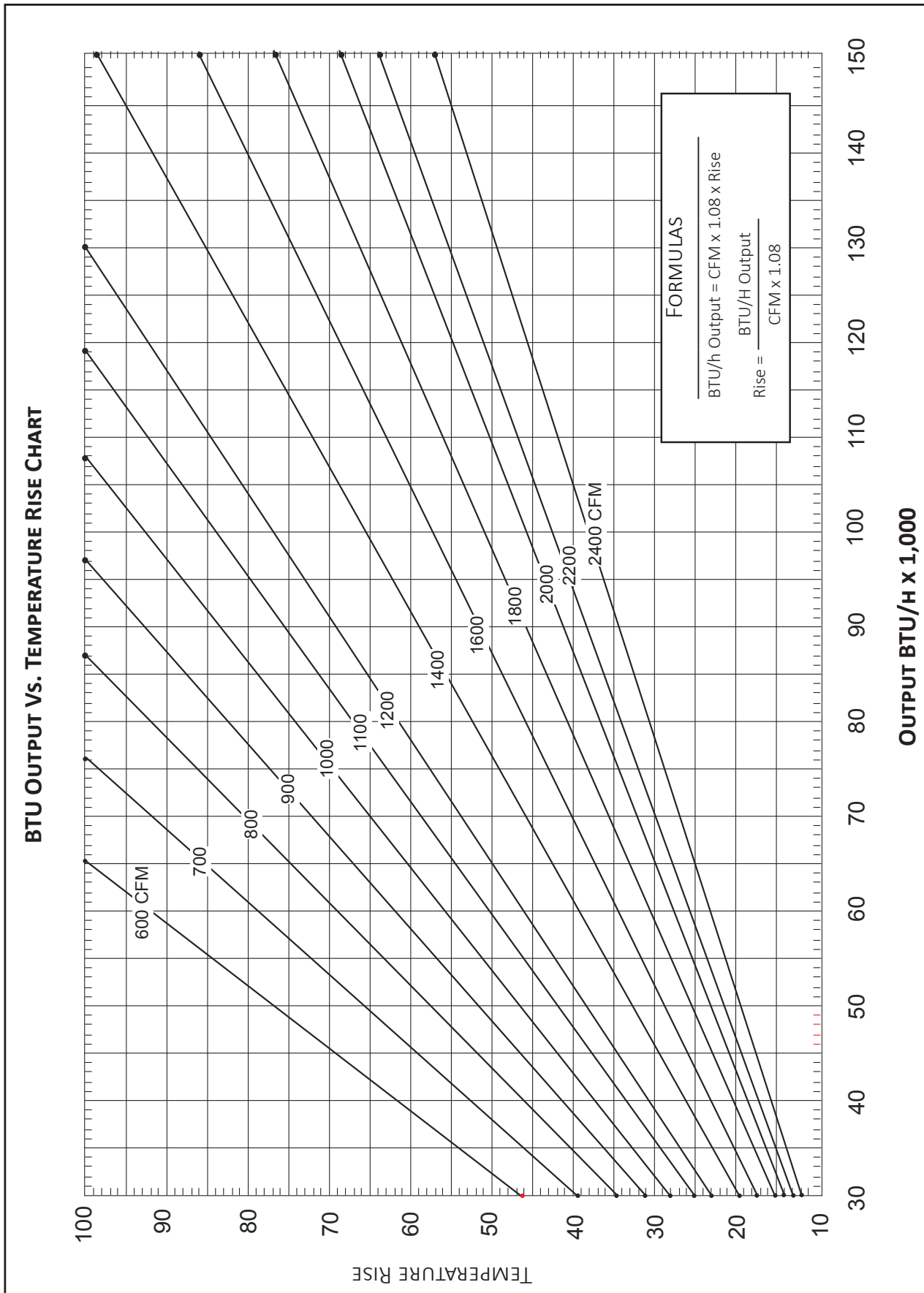
PCBBF139 D*80VE1005C* - HEATING

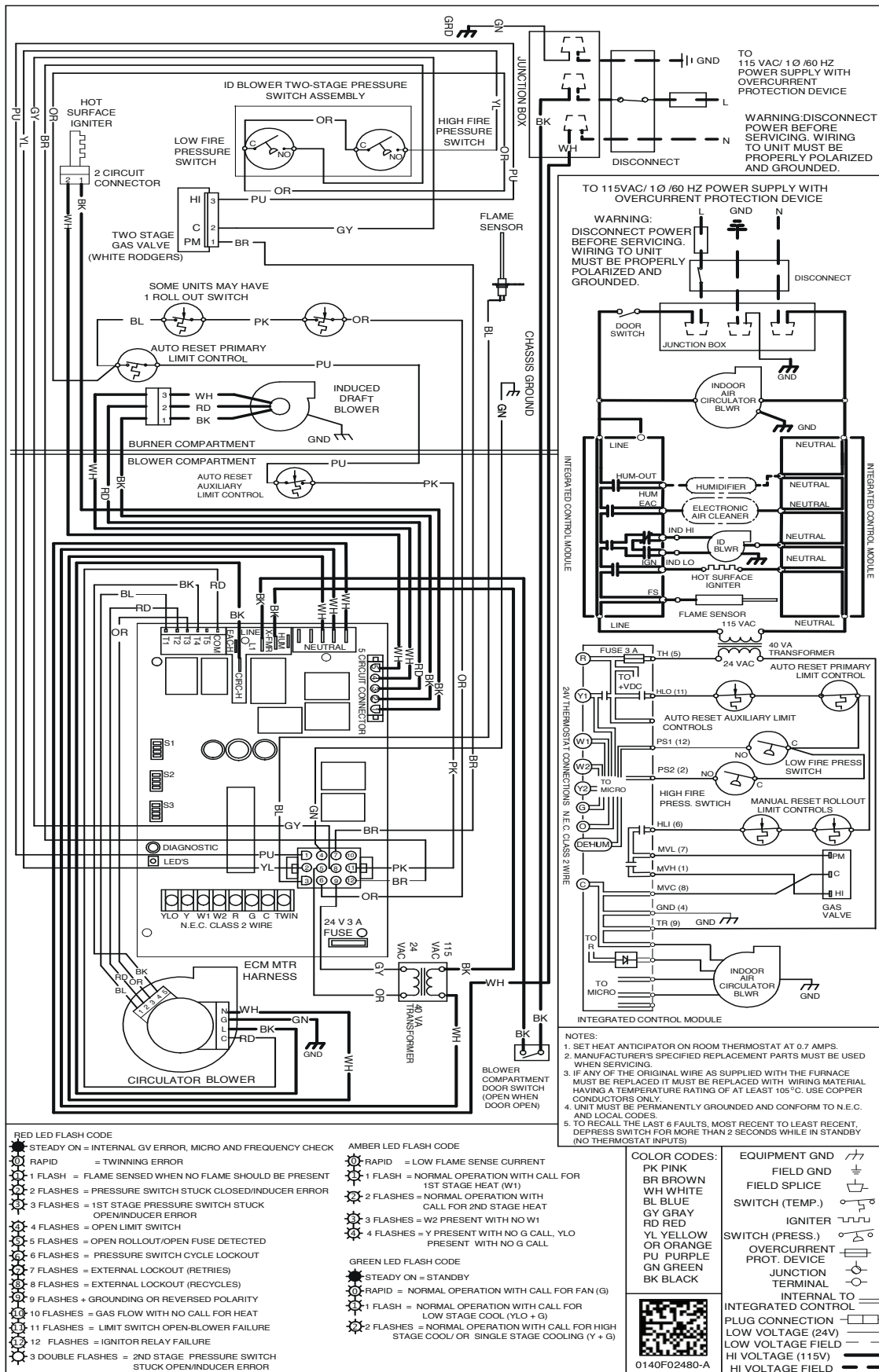
DIP SWITCHES S1-4 S2-1	STATIC	0.1		0.2		0.3		0.4		0.5		0.6	0.7	0.8
	TSTAT CALL	CFM	RISE	CFM	RISE	CFM	RISE	CFM	RISE	CFM	RISE	CFM	CFM	CFM
OFF OFF*	W1	1626	32	1574	33	1524	34	1479	35	1433	36	1410	1400	1358
	W2	2169	34	2116	35	2070	36	2038	36	2003	37	1970	1933	1897
ON OFF	W1	803	N/A	719	N/A	631	N/A	540	N/A	471	N/A	337	298	265
	W2	2169	34	2116	35	2070	36	2038	36	2003	37	1970	1933	1897
ON ON	W1	803	N/A	719	N/A	631	N/A	540	N/A	471	N/A	337	298	265
	W2	1820	41	1769	42	1726	43	1685	44	1642	45	1603	1557	1521
OFF ON**	W1	1820	N/A	1769	N/A	1726	N/A	1685	N/A	1642	N/A	1603	1557	1521
	W2	2235	N/A	2185	N/A	2139	N/A	2108	N/A	2076	N/A	2032	2000	1964

*DEFAULT **NOT RECOMMENDED

NOTES

- All furnaces ship as high speed for cooling. Installer must adjust blower speed as needed.
- For most jobs, about 400 CFM per ton when cooling is desirable.
- INSTALLATION IS TO BE ADJUSTED TO OBTAIN TEMPERATURE RISE WITHIN THE RANGE SPECIFIED ON THE RATING PLATE.





High Voltage: Disconnect all power before servicing or installing this unit. Multiple power sources may be present. Failure to do so may cause property damage, personal injury, or death.



Wiring is subject to change. Always refer to the wiring diagram on the unit for the most up-to-date wiring.

- RED LED FLASH CODE**
- STEADY ON = INTERNAL GV ERROR, MICRO AND FREQUENCY CHECK
 - RAPID = TWINNING ERROR
 - 1 FLASH = FLAME SENSED WHEN NO FLAME SHOULD BE PRESENT
 - 2 FLASHES = PRESSURE SWITCH STUCK CLOSED/INDUCER ERROR
 - 3 FLASHES = 1ST STAGE PRESSURE SWITCH STUCK OPEN/INDUCER ERROR
 - 4 FLASHES = OPEN LIMIT SWITCH
 - 5 FLASHES = OPEN ROLLOUT/OPEN FUSE DETECTED
 - 6 FLASHES = PRESSURE SWITCH CYCLE LOCKOUT
 - 7 FLASHES = EXTERNAL LOCKOUT (RETRIES)
 - 8 FLASHES = EXTERNAL LOCKOUT (RECYCLES)
 - 9 FLASHES + GROUNDING OR REVERSED POLARITY
 - 10 FLASHES = GAS FLOW WITH NO CALL FOR HEAT
 - 11 FLASHES = LIMIT SWITCH OPEN-BLOWER FAILURE
 - 12 FLASHES = IGNITOR RELAY FAILURE
 - 3 DOUBLE FLASHES = 2ND STAGE PRESSURE SWITCH STUCK OPEN/INDUCER ERROR

- AMBER LED FLASH CODE**
- RAPID = LOW FLAME SENSE CURRENT
 - 1 FLASH = NORMAL OPERATION WITH CALL FOR 1ST STAGE HEAT (W1)
 - 2 FLASHES = NORMAL OPERATION WITH CALL FOR 2ND STAGE HEAT
 - 3 FLASHES = W2 PRESENT WITH NO W1
 - 4 FLASHES = Y PRESENT WITH NO G CALL, YLO PRESENT WITH NO G CALL
- GREEN LED FLASH CODE**
- STEADY ON = STANDBY
 - RAPID = NORMAL OPERATION WITH CALL FOR FAN (G)
 - 1 FLASH = NORMAL OPERATION WITH CALL FOR LOW STAGE COOL (YLO + G)
 - 2 FLASHES = NORMAL OPERATION WITH CALL FOR HIGH STAGE COOL/ OR SINGLE STAGE COOLING (Y + G)

- COLOR CODES:**
- PK PINK
 - BR BROWN
 - WH WHITE
 - BL BLUE
 - GY GRAY
 - RD RED
 - YL YELLOW
 - OR ORANGE
 - PU PURPLE
 - GN GREEN
 - BK BLACK



- EQUIPMENT GND**
- FIELD GND
 - FIELD SPLICE
 - SWITCH (TEMP.)
 - IGNITER
 - SWITCH (PRESS.)
 - OVERCURRENT PROT. DEVICE
 - JUNCTION TERMINAL
 - INTERNAL TO INTEGRATED CONTROL
 - PLUG CONNECTION
 - LOW VOLTAGE (24V)
 - LOW VOLTAGE FIELD
 - HI VOLTAGE (115V)
 - HI VOLTAGE FIELD

MODEL	DESCRIPTION
LPM-06	LP Conversion Kit (Springs & Orifice) ¹
AFE18-60A	Fossil Fuel Kit (must be used in a dual-fuel application with a compatible thermostat)
ASAS	Electronic Air Cleaners (sizes = -10, -11, -12 or -18)
AMU	Media Air Cleaners (sizes = 1620, 2020, 1625 or 2025)

¹ White-Rodgers and Honeywell valves

NOTE: Twinning kit is not required, but the furnace is capable of twinning. See details in the unit IO manual.

