

Multi-Position, Multi-Speed Modular Blower



■ Contents

Air Handler Nomenclature	
2 Heater Kit Nomenclature	2
Product Specifications	3
Dimensions	4
Airflow Data	5
Heat Kit Data	6
Wiring Diagram	7

With PSC

Motor

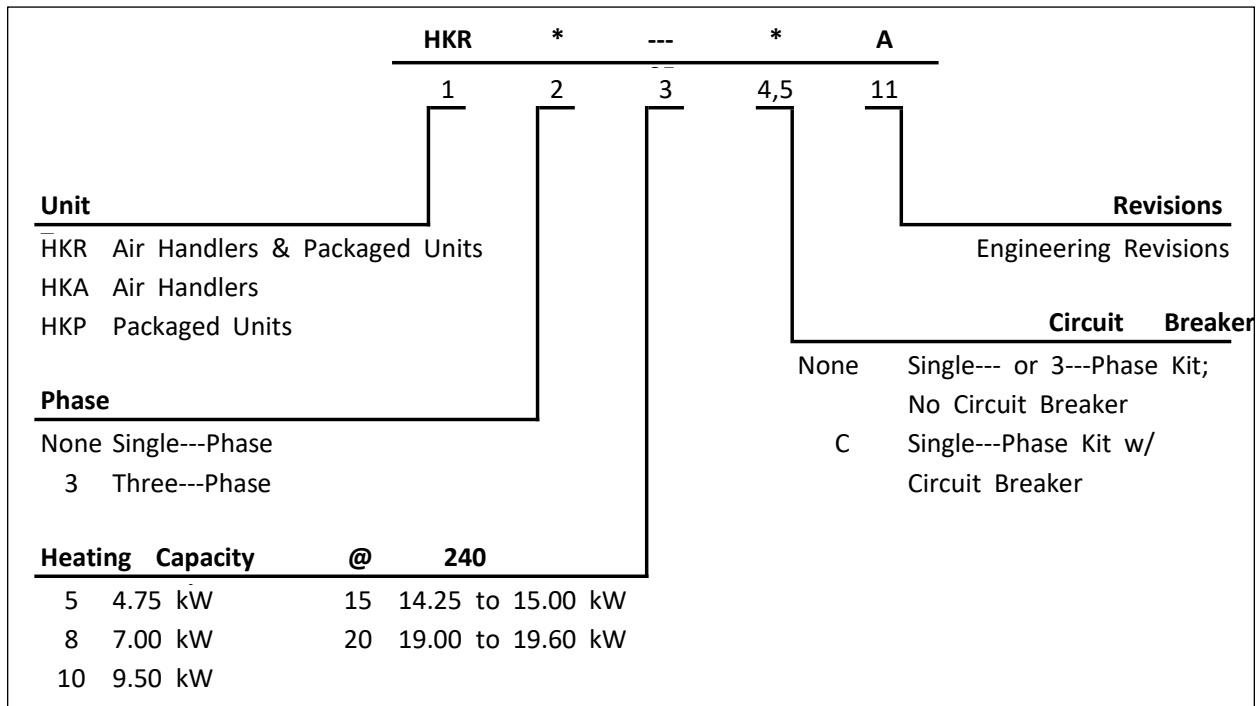
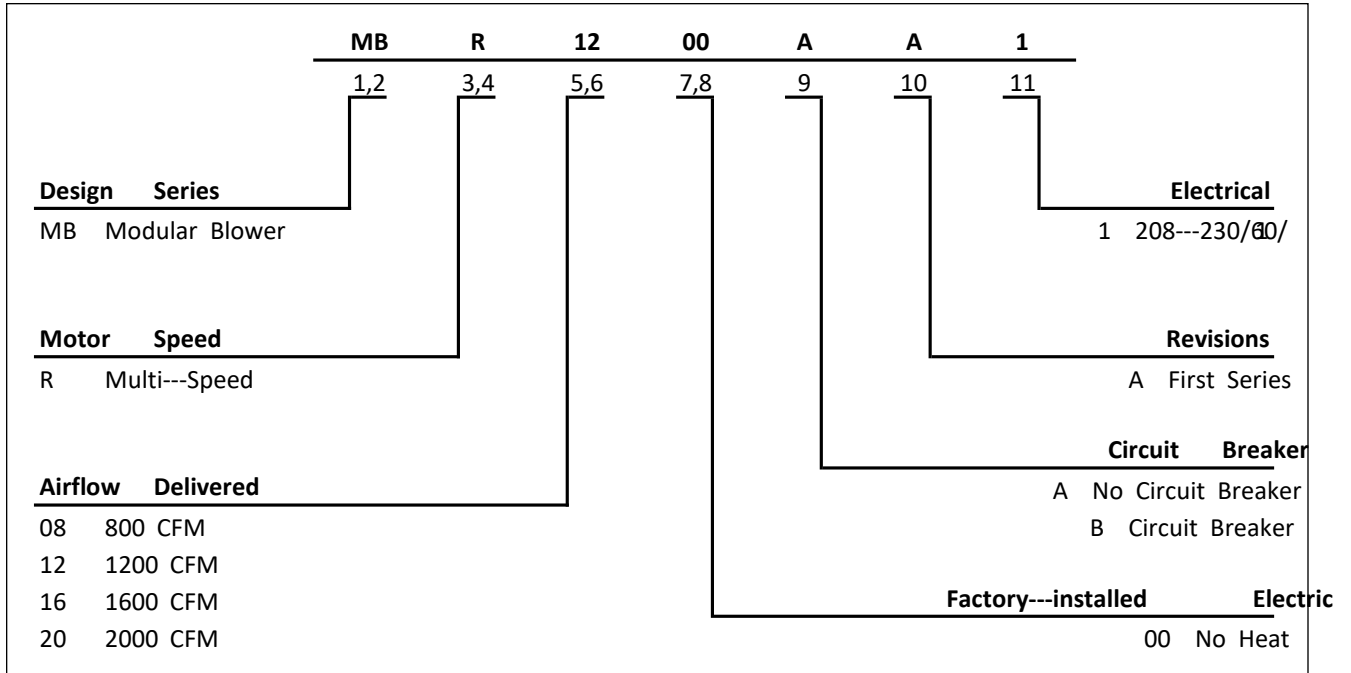
■ Product Features

- Direct drive, multi-speed PSC blower motor
- Cooling or heat pump applications: horizontal
- Blower section usable as an electric furnace
- Control board includes a fan delay in the cooling
- Intended for use with CAPF/CHPF cased
- CAPF/CHPF coils are equipped with a check flowrater
- AHRI certified; ETL listed
- Cabinet air leakage less than 1.4% at 0.5 inch H₂O when tested in accordance with ASHRE standard 193
- Painted, galvanized steel cabinet
- Horizontal or vertical configuration capabilities upflow, downflow, and horizontal
- Foil-faced insulation is glued in place and covers the entire blower case to reduce operating mode and is isolated from the air stream
- Galvanized, leather grain-embossed finish evaporator coils
- Cabinet air leakage less than 2% at 1.0 inch H₂O when tested in accordance with ASHRE standard 193
- 21" depth for easier attic access
- 3 kW – 21 kW electric heat kits available



* Complete warranty details available from your local dealer or at www.daikincomfort.com. To receive the 12-Year Parts Limited Warranty, online registration must be completed within 60 days of installation. Online registration is not required in California or Quebec.

Nomenclature



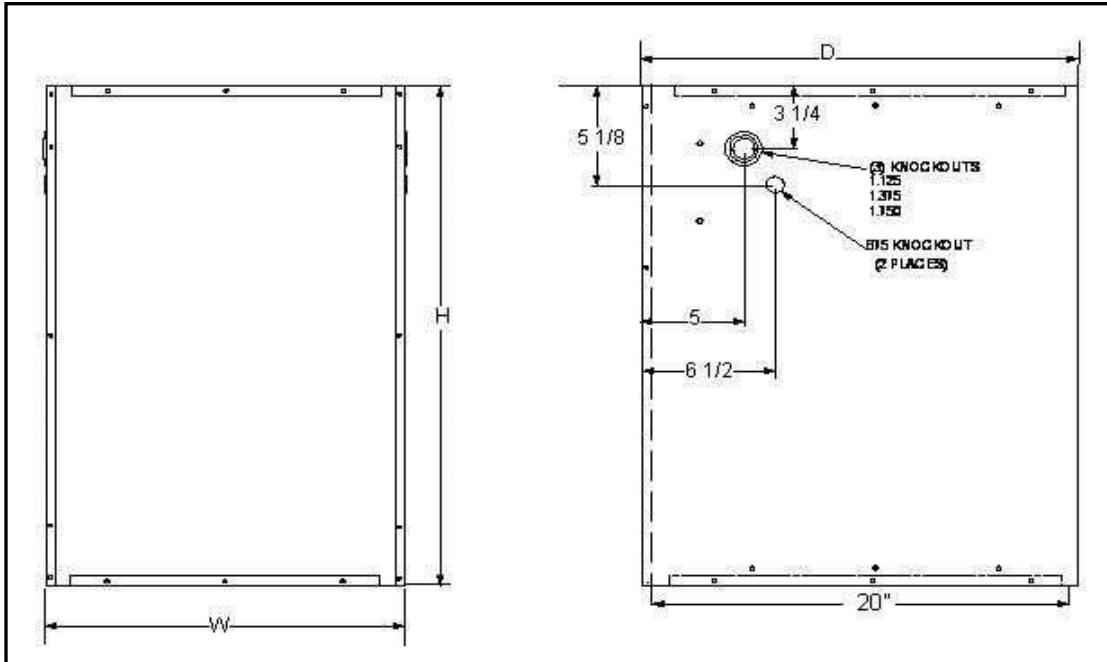
Product Specifications

Model	MBR1200AA-1	MBR1600AA-1	MBR2000AA-1
Blower			
Diameter	9"	10"	10"
Width	8"	8"	10"
Electrical Data			
Voltage	208/230	208 / 230	208 / 230
Min Circuit Ampacity	3	3.8	4.9
Max. Overcurrent Device (Amps)	15	15	15
Blower Motor			
Horsepower (HP)	$\frac{1}{3}$	$\frac{1}{3}$	$\frac{1}{2}$
Ship Weight (Lbs.)	62	73	84

- Minimum Circuit Ampacity (MCA) and Maximum Overcurrent Protection (MOP) for blower without supplemental heat installed. Refer to unit nameplate for these specifications with approved accessory heaters installed.

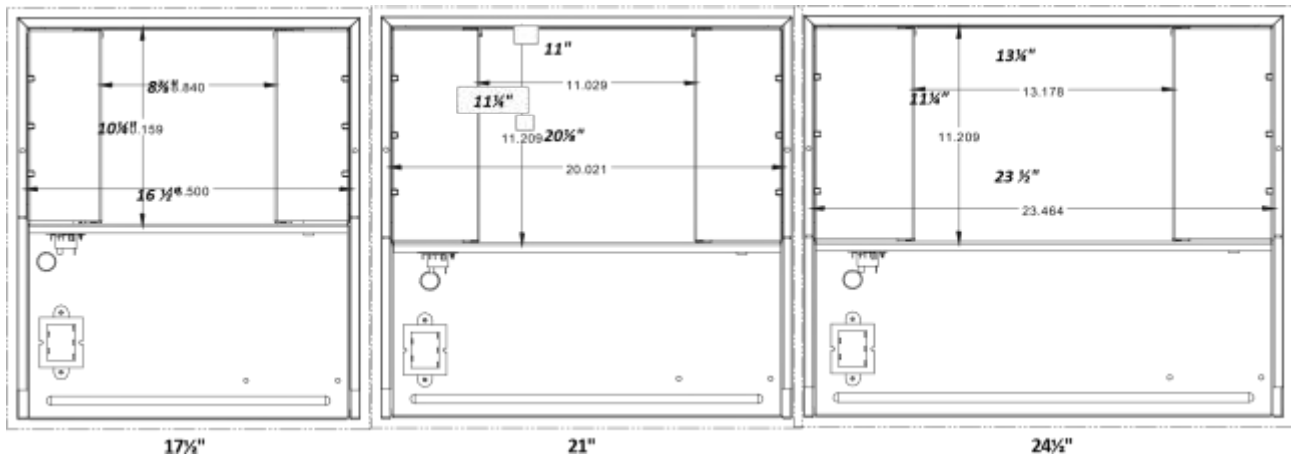
Dimensions

Side and Front Views



	W	H	D
MBR1200*	17½"	26"	21"
MBR1600*	21"	30"	21"
MBR2000*	24½"	30"	21"

Top View



Airflow Data

Speed	Static	MBR1200**.* SCFM	MBR1600**.* SCFM	MBR2000**.* SCFM
-------	--------	---------------------	---------------------	---------------------

High	0.1	1,500	1,800	2,160
	0.2	1,460	1,740	2,080
	0.3	1,360	1,680	1,990
	0.4	1,280	1,610	1,890
	0.5	1,200	1,520	1,790
	0.6	1,110	1,430	1,690
Medium	0.1	1,380	1,540	1,730
	0.2	1,320	1,490	1,670
	0.3	1,270	1,450	1,590
	0.4	1,200	1,400	1,520
	0.5	1,140	1,350	1,420
	0.6	1,040	1,280	1,320
Low	0.1	1,170	1,130	1,520
	0.2	1,130	1,100	1,450
	0.3	1,080	1,070	1,360
	0.4	1,020	1,030	1,290
	0.5	950	990	1,200
	0.6	830	930	1,090

Notes

- The chart is for information only. For satisfactory operation, external static pressure must not exceed value shown on rating plate.
- Use the CFM adjustment factors of .98 for horizontal left, .95 for horizontal right & .96 for downflow orientations.

Heat Kit Data

Models	Circuit 1			Circuit 2			Single-Point Kit	
	Heater Amps	MCA ¹	MOP ²	Heater Amps	MCA ¹	MOP ²	MCA ¹	MOP ²
MBR1200AA-1 **	0 / 0	3.0 / 3.0	15 / 15	---	---	---	---	---
HKR-03*	10.8 / 12.5	17 / 19	20 / 20	---	---	---	---	---
HKR-05* / 05C*	17.2 / 19.8	24 / 28	25 / 30	---	---	---	---	---
HKR-06*	21.7 / 25.0	30.1 / 34	35 / 40	---	---	---	---	---
HKR-08* / -08C*	25.3 / 29.2	35 / 39	35 / 40	---	---	---	---	---
HKR-10* / -10C*	34.3 / 39.6	46 / 52	50 / 60	---	---	---	---	---
HKA-15C*	34.3 / 39.6	46 / 52	50 / 60	17.2 / 19.8	21 / 25	25 / 25	67/77	70 / 80
HKA-20C*	34.3 / 39.6	46 / 52	50 / 60	34.3 / 39.6	43 / 49	45 / 50	89/102	90 / 110
^HKR3-15*	0 / 0	3.0 / 3.0	15 / 15	31.3 / 36.1	39 / 45.1	40 / 50	----	----
^HKR3-20*	0 / 0	3.0 / 3.0	15 / 15	40.7 / 46.9	51 / 59	60 / 60	----	----

MBR1600AA-1 **	0 / 0	3.8 / 3.8	15 / 15	---	---	---	---	---
HKR-03*	10.8 / 12.5	17 / 19	20 / 20	---	---	---	---	---
HKR-05* / 05C*	17.2 / 19.8	25.2 / 28	30 / 30	---	---	---	---	---
HKR-06*	21.7 / 25.0	31 / 35	35 / 35	---	---	---	---	---
HKR-08* / -08C*	25.3 / 29.2	35.3 / 40.2	40 / 45	---	---	---	---	---
HKR-10* / -10C*	34.3 / 39.6	47 / 53	50 / 60	---	---	---	---	---
HKA-15C*	34.3 / 39.6	47 / 53	50 / 60	17.2 / 19.8	21 / 25	25 / 25	68/78	70 / 80
HKA-20C*	34.3 / 39.6	47 / 53	50 / 60	34.3 / 39.6	43 / 49	45 / 50	90/103	90 / 110
^HKR3-15*	0 / 0	3.8 / 3.8	15 / 15	31.3 / 36.1	39 / 45.1	60 / 60	----	---
^HKR3-20*	0 / 0	3.8 / 3.8	15 / 15	40.7 / 46.9	51 / 59	60 / 60	---	---
MBR2000AA-1 **	0 / 0	4.9 / 4.9	15 / 15	---	---	---	---	---
HKR-03*	10.8 / 12.5	18 / 21	20 / 25	---	---	---	---	---
HKR-05* / 05C*	17.2 / 19.8	26 / 30	30 / 35	---	---	---	---	---
HKR-06*	21.7 / 25.0	32 / 36	35 / 40	---	---	---	---	---
HKR-08* / -08C*	25.3 / 29.2	36 / 41	40 / 45	---	---	---	---	---
HKR-10* / -10C*	34.3 / 39.6	48 / 54	50 / 60	---	---	---	---	---
HKA-15C*	34.3 / 39.6	48 / 54	50 / 60	17.2 / 19.8	21 / 25	25 / 25	69/79	70 / 80
HKA-20C*	34.3 / 39.6	48 / 54	50 / 60	34.3 / 39.6	43 / 49	45 / 50	91/104	100 / 110
^HKR3-15*	0 / 0	4.9 / 4.9	15 / 15	31.3 / 36.1	39 / 45.1	40 / 50	---	----
^HKR3-20*	0 / 0	4.9 / 4.9	15 / 15	40.7 / 46.9	51 / 59	60 / 60	---	---

All ampacities noted above include air handler motor amps

Circuit 1: Single-phase for Air Handlers / Circuit 2: Three-phase for HKR3 Heater Kits

¹ Minimum Circuit Ampacity (Heater Amps + Motor Amps) X 1.25

² Maximum Overcurrent Protection = 2.25 X Motor Amps +

Heater Amps * Revision level that may or may not be designated

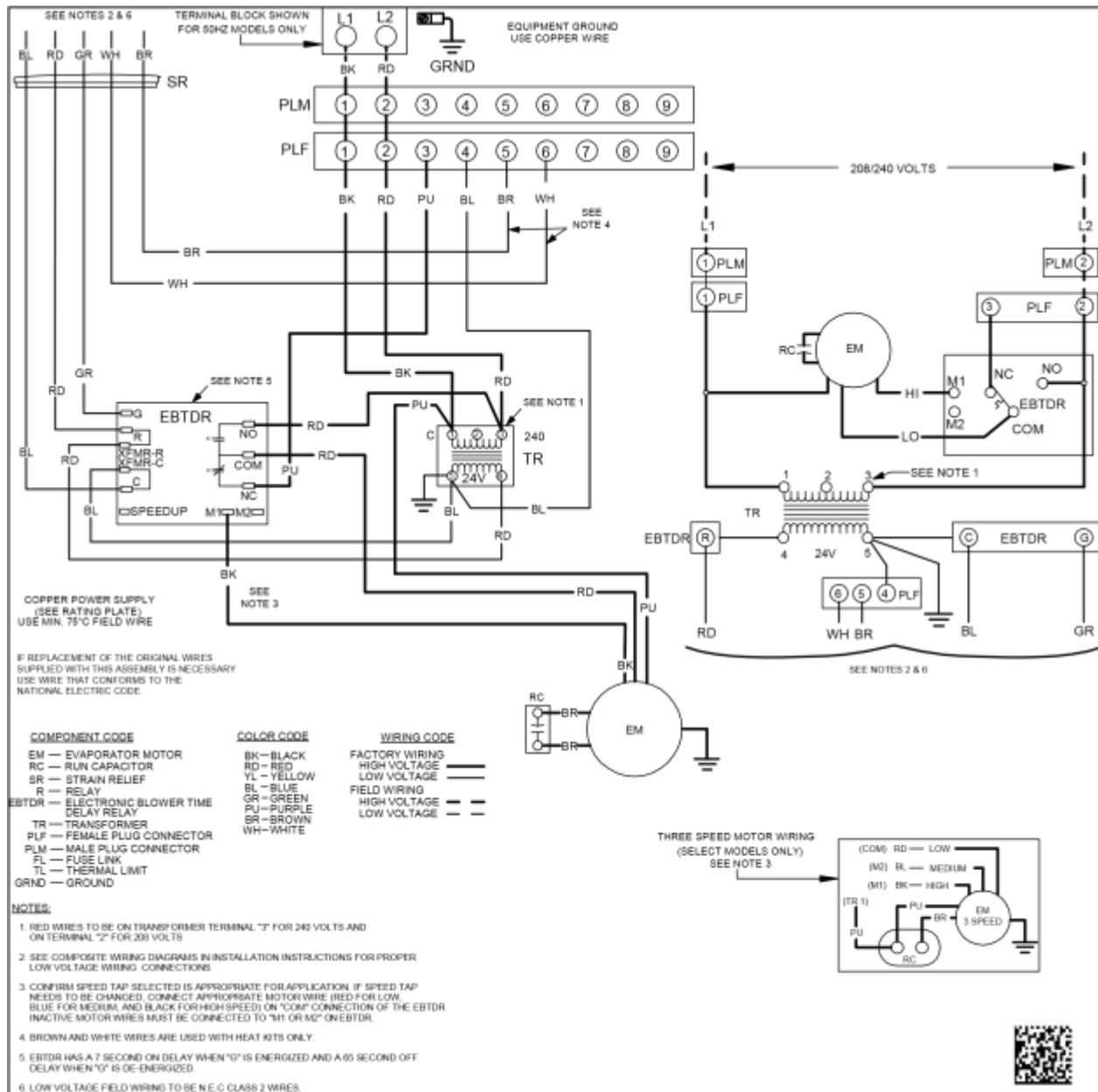
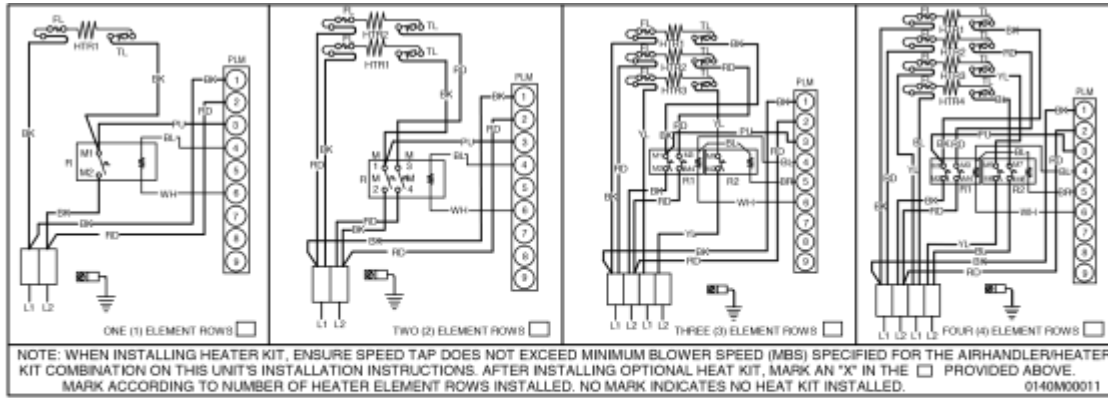
C = Circuit Breaker Option

--- indicates Not Required

• Only applicable when HKA kits are included in table



HKA meets the new UL1995 requirements for 15 and 20KW heaters • MBVC and MBR models

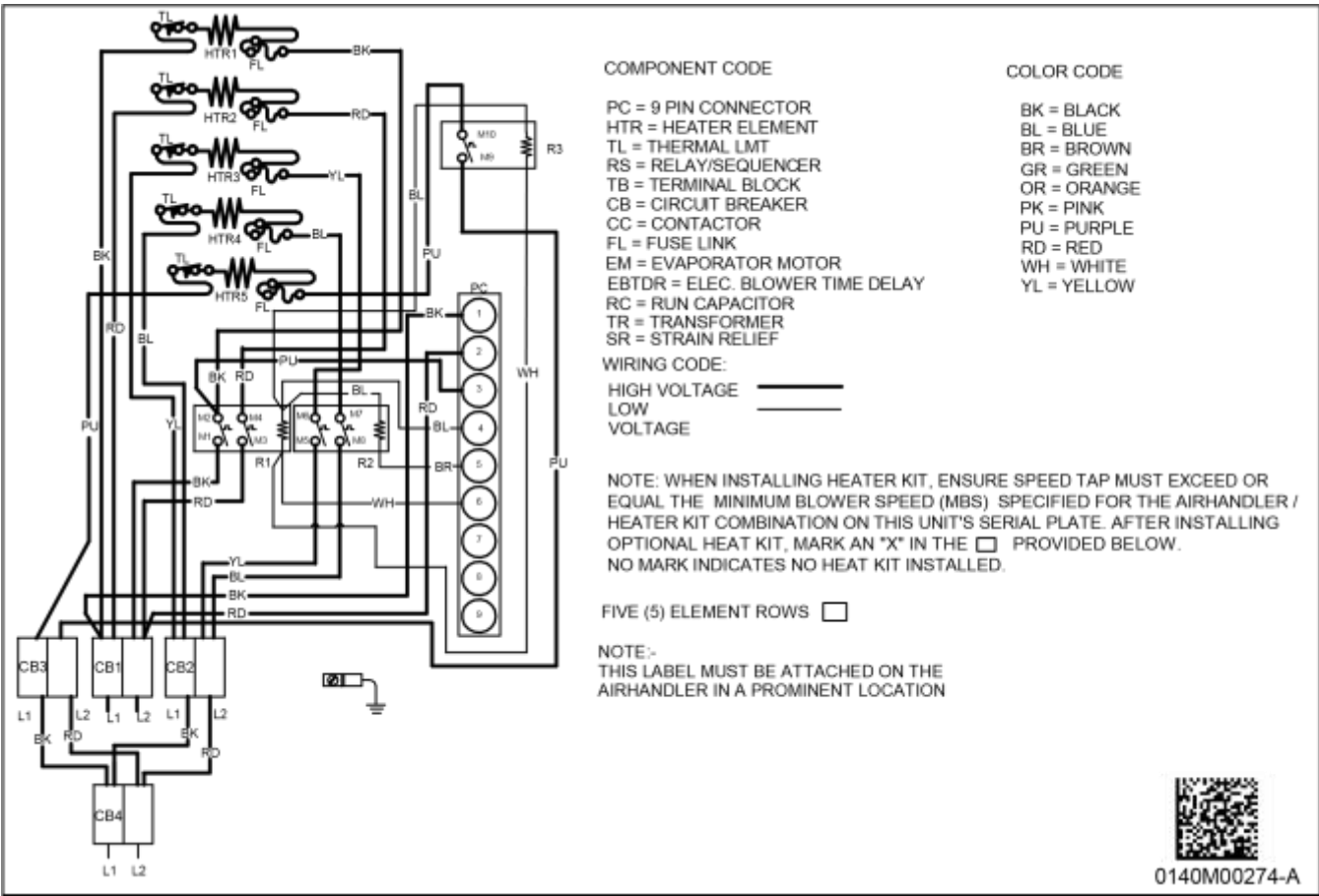
Wiring Diagram – Air Handler





Wiring is subject to change. Always refer to the wiring diagram on the unit for the most up-to-date wiring.

Wiring Diagram – Five-Element Heater Kit

 Warning	<p>High Voltage: Disconnect all power before servicing or installing this unit. Multiple power</p>
	<p> sources may be present. Failure to do so may cause property damage, personal injury, or death.</p>



Wiring is subject to change. Always refer to the wiring diagram on the unit for the most up-to-date wiring.

 Warning	<p>High Voltage: Disconnect all power before servicing or installing this unit. Multiple power</p>
	<p> sources may be present. Failure to do so may cause property damage, personal injury, or death.</p>

Our continuing commitment to quality products may mean a change in specifications without notice.
© 2017 **DAIKIN MANUFACTURING COMPANY, L.P.** • Houston, Texas • Printed in the USA.